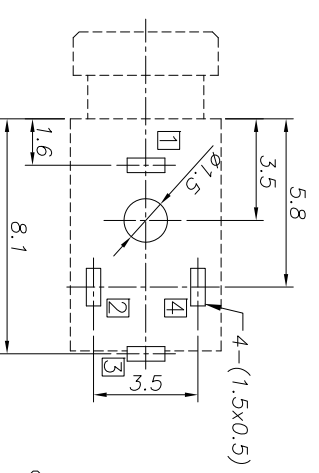
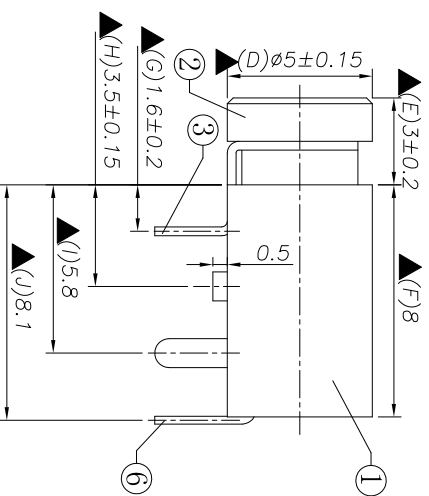
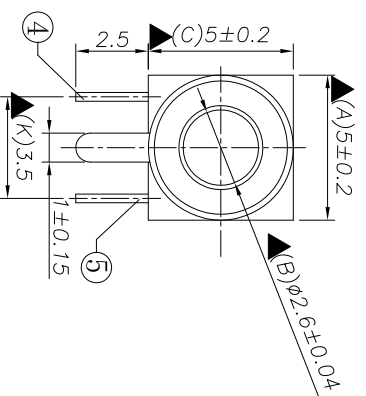
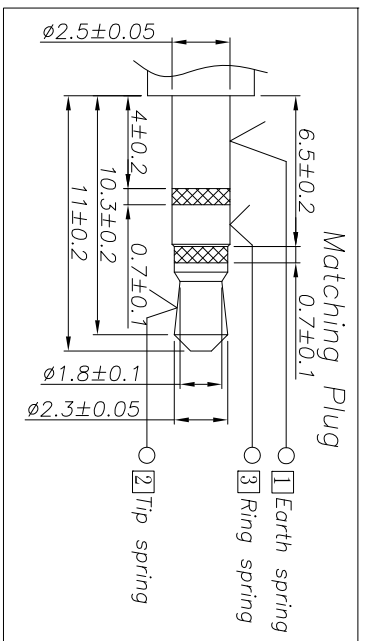
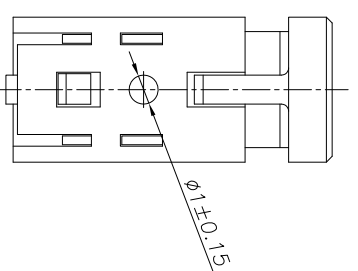


| | | | |
|------------------|--------------------|------------|------------|
| 修正标记 REV. LTR | 描述 DESCRIPTION | 签名 SIGN | 日期 DATE |
| | Update the drawing | Zengyu | 2010.07.29 |



P.C.B Layout
(Copper-sided view)

Ordering information:
 PJ2010C-□
 (1) Series No.
 (2) Schematic option: G Y



| | | |
|-----------|-----------|-----------|
| Model NO. | PJ2010C-G | PJ2010C-Y |
| Schematic | | |

□: TERMINAL NO.

Specification:

1. Rating : DC 30V 0.5A;
2. Contact resistance: $\leq 30m\Omega$;
After test: $\leq 50m\Omega$
3. Insulation resistance: $\geq 100M\Omega$ (500VDC) ;
After test: $\geq 50M\Omega$
4. Withstand voltage: 500VAC ;
5. Insertion and extraction force: 3N~30N;
6. Life test: 5000cycles min;
7. Operation temperature range: $-20^{\circ}C \sim 70^{\circ}C$
8. Preservative temperature range: $-40^{\circ}C \sim 85^{\circ}C$
9. Sign "▲" is importance dimension

| | | | | | |
|----------------|---|---|-----------------|-----------------------|----------------|
| ⑥ Ring spring | ③ | 1 | Phosphor bronze | PJ20100-01(JA-JK0016) | Tin plating |
| ⑤ Tip spring-2 | ④ | 1 | Phosphor bronze | PJ20100-04(JA-JK0015) | Tin plating |
| ④ Tip spring-1 | ② | 1 | Phosphor bronze | PJ20100-02(JA-JK0017) | Tin plating |
| ③ Earth spring | ① | 1 | Phosphor bronze | PJ2010B-01(JA-JK0014) | Tin plating |
| ② Bushing | | 1 | Brass | PJ2010A-88(ZT-JK0091) | Nickel plating |
| ① Housing | | 1 | PA66 | PJ20100-S1(ST-JK0010) | Black |

| | | | | |
|--------------|-----------------|------------|------------------|-------------|
| UNIT:MM | TYPE: | MODEL NO.: | PAPER NO: A4 | PAGE 1 OF 1 |
| | φ2.5 PHONE JACK | PJ2010C- | TOLERANCE ANGLES | SCALE |
| DESIGNER BY: | Zengyu | 2010.07.29 | ±0.3 | ±2 |
| CHECK BY: | | | 4:1 | 1 |
| APPROVED BY: | | | | |

丞永實業有限公司
 BLUE SOURCES ELECTRONICS CO.,LTD.